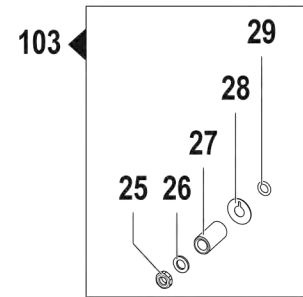
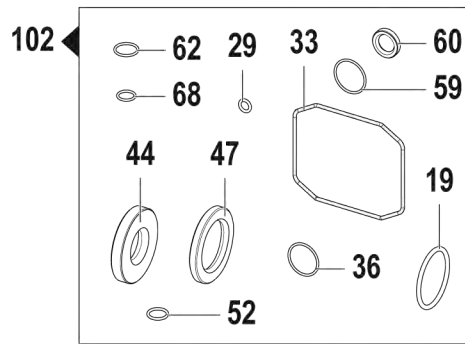
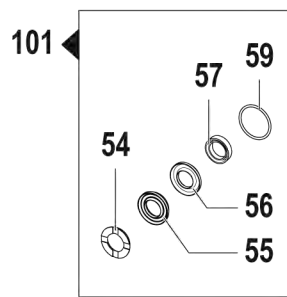
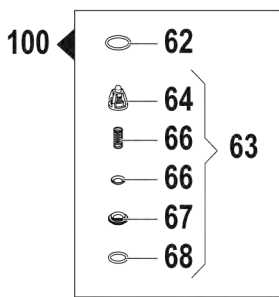
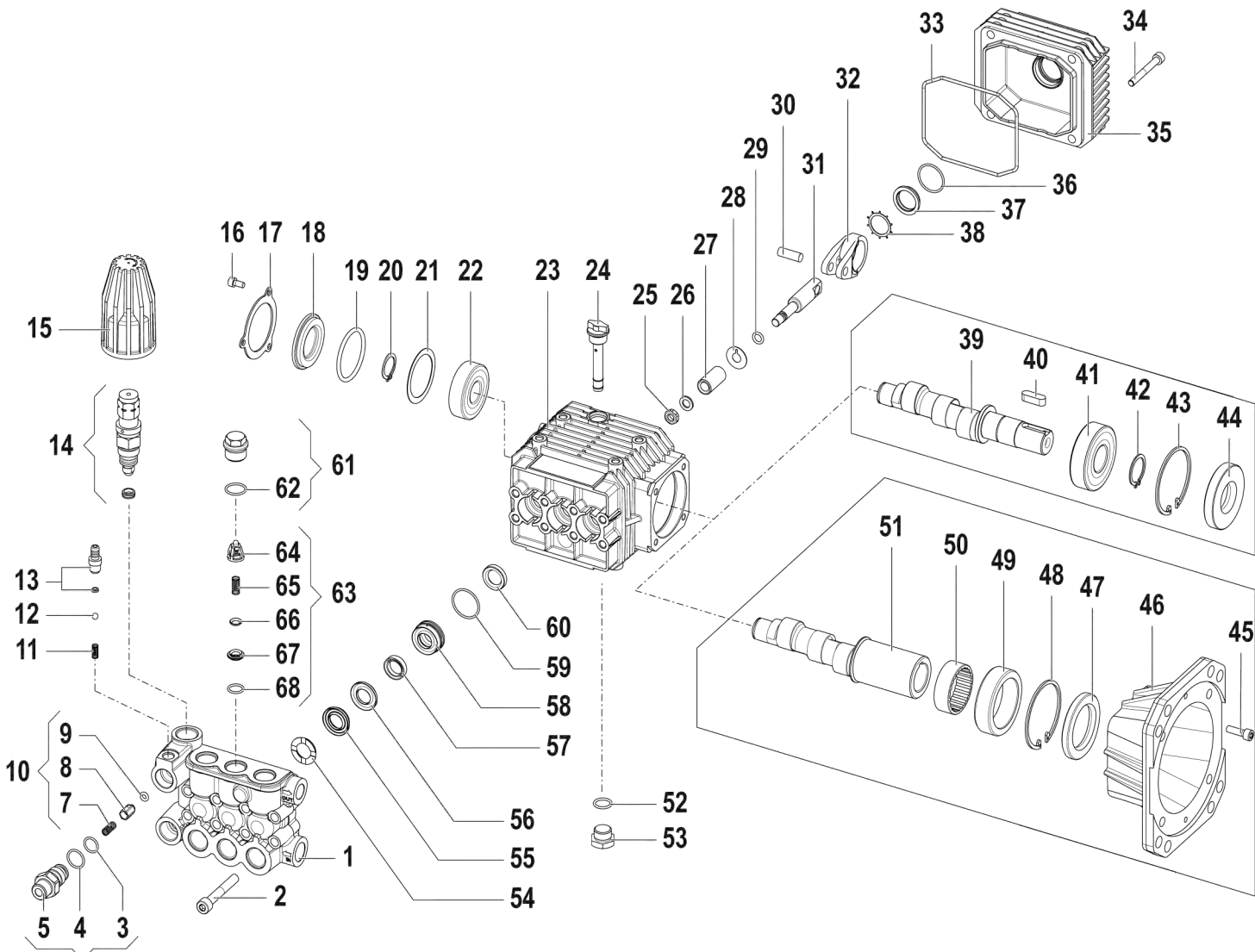


# PUMP DIAGRAM

ZWD-K3538 & ZWD-K4042



Pumps Covered By This Document	
Part No.	Model
7104757	ZWD-K4042
7104820	ZWD-K4042
7104858	ZWD-K3538

Torque Specifications						
No.	Part No.	Description	lb.ft	lb.in	N.m	Apply To Thread
2	7105403	M8 x 55 Screw	18.4	220	25	-
16	7105412	M5 x 10 Screw	3.0	40	4	-
25	-	Piston Nut	4.4	50	6	Loctite 243
34	7105425	M6 x 50 Screw	6.6	80	9	-
45	7105436	M6 x 20 Screw	6.6	80	9	-
61	7105446	Valve Plug	33.2	400	45	Loctite 243

# PUMP COMPONENTS

## ZWD-K3538 & ZWD-K4042

DWG NO.	PART NO.	DESCRIPTION	QTY.	MODELS
1	7105402	BRASS PUMP MANIFOLD, Ø15mm	1	ALL
2	7105403	SCREW, M8 X 55mm	8	ALL
3	-	O-RING, Ø1.75 X 12.42mm	1	ALL
4	-	O-RING, Ø1.78 X 15.6mm	1	ALL
5	-	INJECTOR BODY, Ø2mm-3/8" NPT(M)	1	ALL
6	7105404	INJECTOR BODY KIT, Ø2mm3/8" NPT(M)	1	ALL
7	-	SPRING	1	ALL
8	-	CHECK VALVE	1	ALL
9	7105405	O-RING, Ø2.4 X 4.3mm	1	ALL
10	7105406	CHECK VALVE KIT	1	ALL
11	7105407	DETERGENT SPRING	1	ALL
12	7105408	DETERGENT BALL	1	ALL
13	7105409	DETERGENT COUPLING	1	ALL
14	7105410	UNLOADER VALVE KIT, 3600PSI[250BAR]	1	ALL
15	7105411	UNLOADER ADJUSTMENT KNOB	1	ALL
16	7105412	SCREW, M5 X 10mm	3	ALL
17	7105413	CRANKCASE FLANGE	1	ALL
18	7105414	ALUMINUM END COVER	1	ALL
19	7105415	O-RING, Ø3.53 X 44.04mm	1	ALL
20	7105416	EXTERNAL SNAP RING, Ø20mm C72	1	ALL
21	7105417	SPACER, Ø41 X 51.8 X 0.5mm	1	ALL
22	7105418	BALL BEARING, Ø20 X 52 X 15mm	1	ALL
23	7105419	PUMP CRANKCASE	1	ALL
24	7105420	OIL DIPSTICK	1	ALL
25	-	SPECIAL NUT	3	ALL
26	-	WASHER, Ø8.2 X 14 X 1.5mm	3	ALL
27	-	CERAMIC BUSHING, Ø15mm	3	ALL
28	-	WASHER	3	ALL
29	-	O-RING, Ø1.78 X 6.07mm	3	ALL
30	7105421	PISTON PIN	3	ALL
31	7105422	PISTON GUIDE	3	ALL
32	7105423	CONNECTING ROD ASSEMBLY	3	ALL
33	7105424	O-RING, Ø3.0 X 94mm	1	ALL
34	7105425	SCREW, M6 X 50mm	4	ALL
35	7105426	CRANKCASE COVER	1	ALL
36	7105427	O-RING, Ø1.78 X 23.25mm	1	ALL
37	7105428	OIL LEVEL SIGHT GLASS	1	ALL
38	7105429	SIGHT GLASS RETAINING RING, Ø28mm	1	ALL
39	7105430	CRANKSHAFT, Ø24 X 9.6mm	1	7104757 ONLY
40	7105431	SHAFT KEY, 8 X 7 X 25mm	1	7104757 ONLY
41	7105432	BALL BEARING, Ø25 X 62 X 17mm	1	7104757 ONLY
42	7105433	EXTERNAL SNAP RING, Ø25mm C72	1	7104757 ONLY
43	7105434	INTERNAL SNAP RING, Ø62mm C72	1	7104757 ONLY
44	7105435	OIL SEAL, Ø25 X 62 X 10/7mm	1	7104757 ONLY
45	7105436	SCREW, M6 X 20mm	4	7104858 & 7104820
46	7105437	MOUNTING FLANGE, 1.00"	1	7104858 & 7104820
47	7105438	OIL SEAL, Ø40 X 62 X 7mm	1	7104858 & 7104820
48	7105434	INTERNAL SNAP RING, Ø62mm C72	1	7104858 & 7104820
49	7105439	BUSHING	1	7104858 & 7104820
50	7105440	ROLLER BEARING, Ø40 X 47 X 16mm	1	7104858 & 7104820
51	7105441	CRANKSHAFT, Ø1.00" X 8.3mm	1	7104858
51	7105442	CRANKSHAFT, Ø1.00" X 9.6mm	1	7104820
52	7105443	O-RING, Ø2 X 14mm	1	ALL
53	7105444	CAP, 3/8" GAS PIPE THREAD	1	ALL
54	-	PACKING HEAD RING, Ø15mm	3	ALL
55	-	PACKING, Ø15mm	3	ALL
56	-	BACK RING, Ø15mm	3	ALL
57	-	PACKING, Ø15 X 22 X 5.5mm	3	ALL
58	7104949	PACKING RETAINER, Ø15mm	3	ALL
59	-	O-RING, Ø1.78 X 26.7mm	3	ALL
60	7105445	OIL SEAL, Ø15 X 24 X 5mm	3	ALL
61	7105446	PLUG AND O-RING KIT	6	ALL
62	7105447	O-RING, Ø1.78 X 17.17mm	6	ALL
63	-	SUCTION/PRESSURE VALVE ASSEMBLY KIT	6	ALL
64	-	SUCTION/PRESSURE VALVE CAGE	6	ALL
65	-	VALVE SPRING	6	ALL
66	-	SUCTION/PRESSURE VALVE	6	ALL
67	-	SUCTION/PRESSURE VALVE SEAT	6	ALL
68	-	O-RING, Ø1.78 X 12.42mm	6	ALL
SPARE PARTS KITS				
100	7105448	SUCTION/PRESSURE VALVE KIT	1	ALL
101	7105449	WATER SEAL KIT	1	ALL
102	7105450	OIL SEAL KIT	1	ALL
103	7105451	PISTON KIT, Ø15mm	1	ALL